

PRODUCT INFORMATION PACKET

Model No: 5K38PN47

Catalog No: K220

1 HP Three Phase HVAC/R Motor, 3 phase, 3600 RPM, 208-230/460 V, 56C Frame, ODP
Three Phase Motors



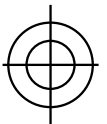
Nameplate Specifications

Output HP	1 Hp	Output KW	0.75 kW
Frequency	60 Hz	Voltage	208-230/460 V
Current	3.3-3.2,1.6 A	Speed	3450 rpm
Service Factor	1.4	Phase	3
Efficiency	79 %	Power Factor	0
Duty	Continuous	Insulation Class	B
KVA Code	M	Frame	56C
Enclosure	Drip Proof	Thermal Protection	N/R
Ambient Temperature	40 °C	Drive End Bearing Size	6203
Opp Drive End Bearing Size	6203	UL	Recognized
CSA	Yes	CE	N

Technical Specifications

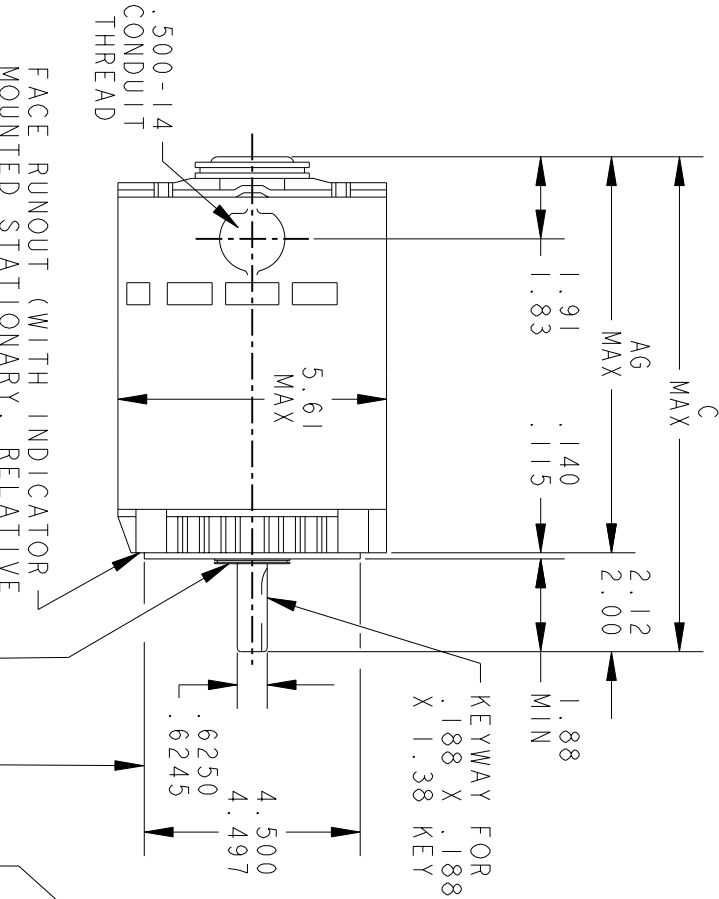
Electrical Type	Three Phase	Starting Method	N/R
Poles	2	Rotation	Counterclockwise/Clockwise
Mounting	Round	Motor Orientation	ANY
Drive End Bearing	LOCKED	Opp Drive End Bearing	Ball
Frame Material	Rolled Steel	Overall Length	11.3 in
Frame Length	7.22 in	Shaft Diameter	0.630 in
Shaft Extension	1.88 in	Thru-bolts Extension	0 in
Outline Drawing	52A102321P6	Connection Drawing	113A930FIG2

This is an uncontrolled document once printed or downloaded and is subject to change without notice. Date Created:03/11/2020



THIRD ANGLE PROJECTION

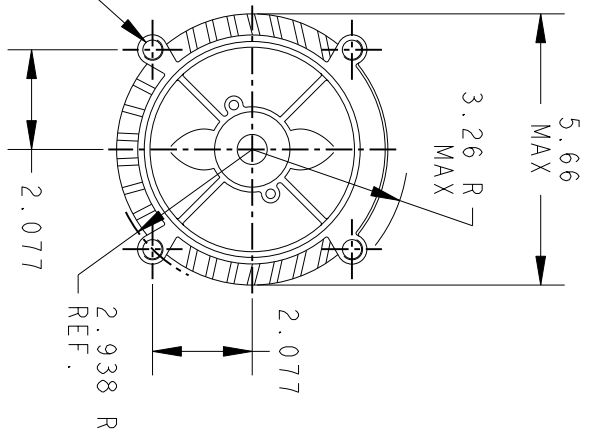
REVISIONS		REVOLUTIONS		
REV.	DESCRIPTION	DATE	APPROVED	
8	REDRAWN NO CHANGE T196-22390	9/9/96	MDP	
9	CHG MADE AS PER IS05-3049	11/30/05	GOVARDAN	



FACE RUNOUT (WITH INDICATOR MOUNTED STATIONARY, RELATIVE TO SHAFT) MUST NOT EXCEED .004 TIR

WATER SLINGER (WHEN SPECIFIED)

ECCENTRICITY OF THIS SURFACE (WITH INDICATOR MOUNTED STATIONARY RELATIVE TO SHAFT) MUST NOT EXCEED .004 TIR



PT	TYPE	GE SIZE	NEMA FR	C	AG	SHELL REF	PT	TYPE	GE SIZE	NEMA FR	C	AG	SHELL REF
4	KC	36	56C	10.31	8.21	8	KC	KC	39	56C	12.58	10.49	8.50
3	KC	35	56C	9.88	7.78	7	KC	KC	39	56C	11.84	9.74	7.75
2	KC	33	56C	9.50	7.40	6	KC	KC	38	56C	11.31	9.21	
1	KC	32	56C	9.25	7.15	5	KC	KC	37	56C	10.71	8.61	



REGAL-BELOLT CORPORATION

OUTLINE

FORM N JET PUMP MOTOR-DRIP PROOF
R2 END MOUNTED - SLEEVE & BALL BEARING

FOR ADDITIONAL INFO REFER TO:	MFG	
APPLIED PRACTICES	QUALITY	
DIMENSIONS ARE IN INCHES	ISSUED	MDP 9/9/96
MATERIAL	SOLID MODEL: 52A102321	

TITLE	SCALE: 1.000	REF. No.:	SHEET 1 of 1
SIZE DRAWING	A		
52A102321			REV 9

REVISIONS

REV.	DESCRIPTION	DATE	APPROVED
1	CHG TO RBC FORMAT PER IS05-1777	06/15/06	MADHU
2	RENAMED 113A930-FIG-2 TO 113A930FIG2 PER IS07-0972	05/08/07	MADHU

This document is the property of REGAL-BELOIT CORPORATION ("RBC") including its subsidiaries and divisions and contains proprietary information of RBC. This document is loaned on the express condition that neither the recipient nor any other person shall be permitted to disclose or disseminate the information contained herein and that the recipient shall be held responsible for the return of this document to RBC upon its request. This document shall be restricted to RBC upon its request. This document may be subject to certain restrictions under U.S. export control laws and regulations.

THIRD ANGLE PROJECTION

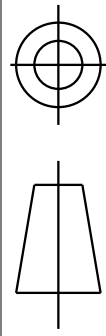
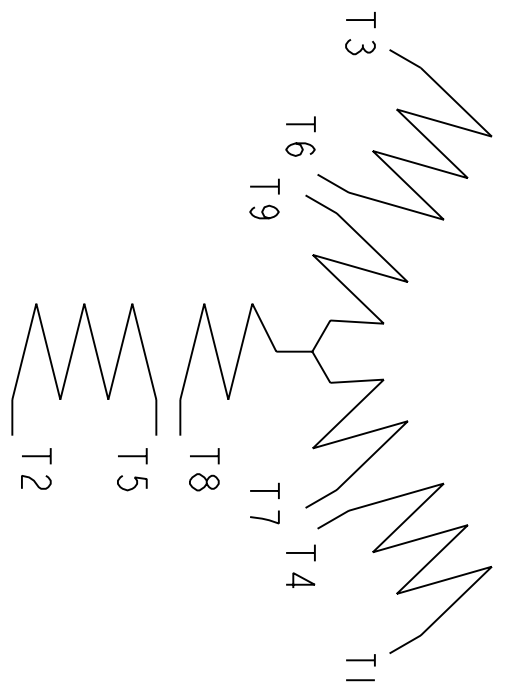


FIG. 2

3 PHASE



BRAKE MOTORS : CONNECT BRAKE LEADS
B1 & B2 TO MOTOR
LEADS T7 & T8.

	VOLTS	L1	L2	L3	TOGETHER
2Y	LOW	1-7	2-8	3-9	4-5-6
1Y	HIGH	1	2	3	4-7, 5-8, 6-9

FOR ADDITIONAL INFO REFER TO:	SIGNATURES	DATE
APPLIED PRACTICES	M.D. PAPE	02/23/03
DIMENSIONS ARE IN INCHES	DETAIL	.
TOLERANCE ON:	CHECKED	.
1 PL DECIMALS ± 0.1	ENGRG	.
2 PL DECIMALS ± 0.02	MFG	.
3 PL DECIMALS ± 0.005	QUALITY	.
ANGLES ± 1.0	ISSUED	M.D. PAPE
FRACTIONS ±		02/23/03
FINISH		
MATERIAL	SOLID MODEL: 113A930FIG2	



REGAL-BELOIT CORPORATION

TITLE CONNECTION DIAGRAM

SIZE	DRAWING	REV
A		2
SCALE: 1.000	REF. No: .	
113A930FIG2		SHEET 1 of 1